

CS130 (A557)

This parts catalog is includes MB No. 1 to 2

PARTS CATALOG

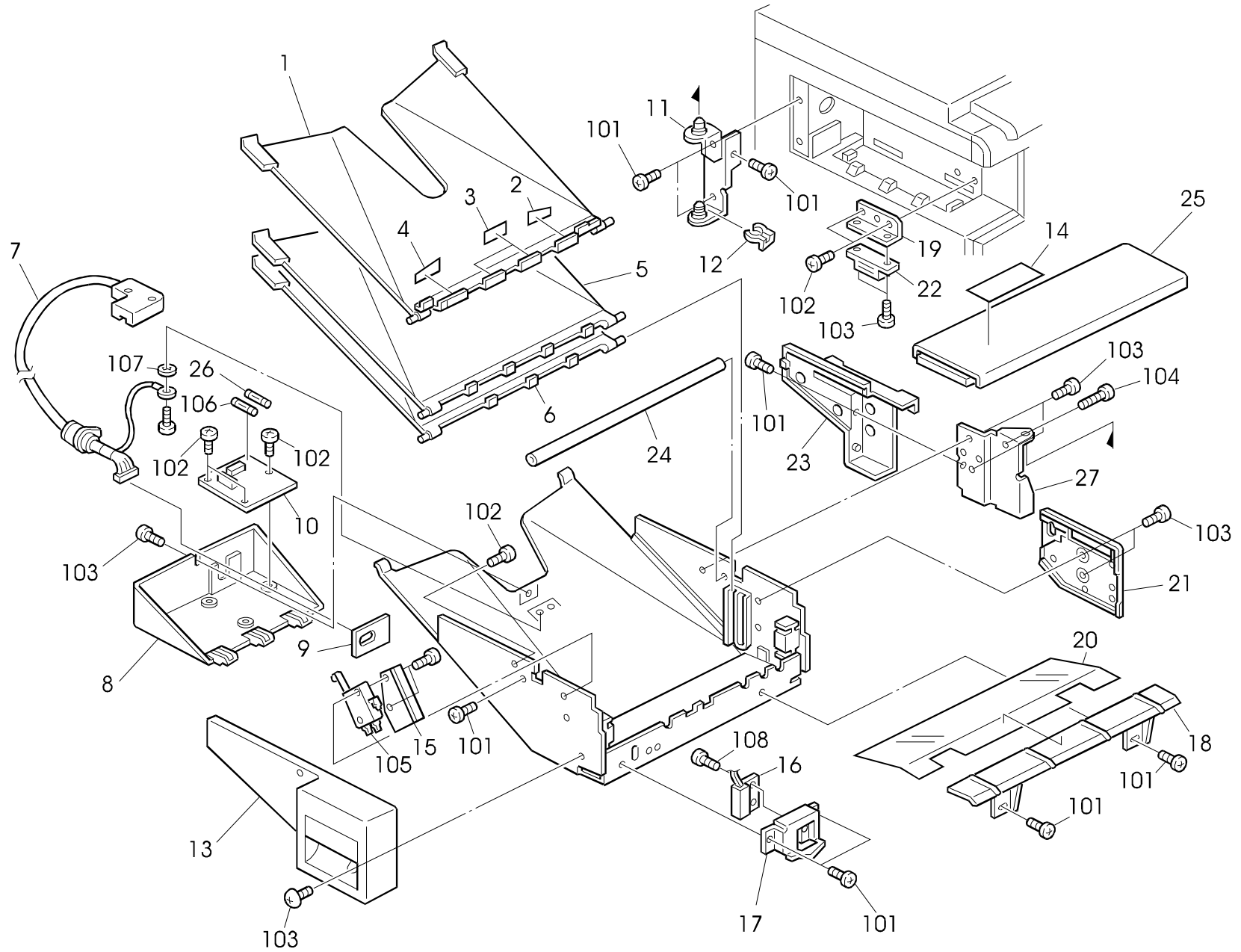
INTRODUCTION

This chapter instructs you the numbers and names of parts on this machine.

INDEX to PARTS CATALOG

1.SORTER UNIT 1 (A557)	2
2.SORTER UNIT 2 (A557)	4
3.DECAL AND DOCUMENT (A557)	6
PARTS INDEX	9

1. SORTER UNIT 1 (A557)

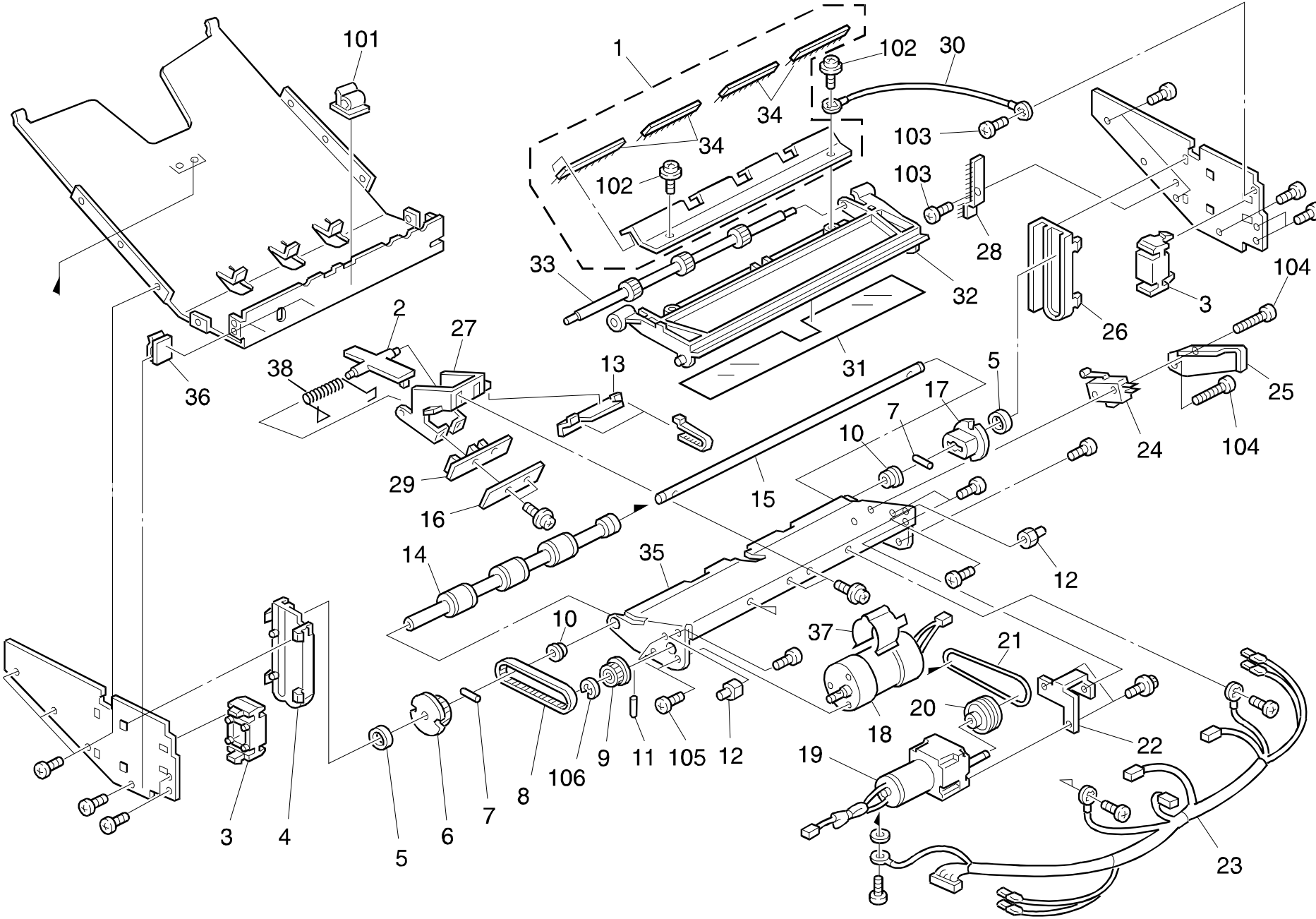


1. SORTER UNIT 1 (A557)

Index No.	Part No.	Description	Q'ty Per Assembly
1	A557 3101	Sorter Bin - Top	1
2	A490 3147	Rear Mylar Seal - Top Bin	1
3	6801 3145	Paper Stopper	2
4	A490 3146	Front Mylar Seal - Top Bin	1
5	A556 3181	Sorter Bin - Even	4
6	A556 3171	Sorter Bin - ODD	4
7	A557 5300	Interface Harness	1
	A557 5305	X/O MB2	1
8	A557 6202	Lower Cover	1
9	6802 5961	Strain Relief Plate	1
10	A557 5510	Main Control Board	1
11	A557 7101	Lower Hinge Bracket	1
12	5447 2681	Snap Ring	1
13	A557 6101	Front Cover	1
14	A557 6602	Decal - Misfeed Removal	1
15	6802 5971	Home Position Switch Cover	1
16	6802 5640	Reed Switch	1
17	A490 5951	Sensor Bracket	1
18	A467 2511	Loewr Guide Support Plate	1
19	A490 7511	Magnet Catch Bracket	1
20	6801 2514	Support Plate Mylar	1
21	A557 6402	Rear Cover	1
22	6802 7125	Magnet - Sorter Mounting Base	1
23	A557 6501	Hinge Cover	1
24	AA14 0279	Frame Shaft	1
25	A557 6302	Upper Cover	1
26	A557 5650	Fuse - 1A	1
27	A557 1201	Upper Hingebracket	1

Index No.	Part No.	Description	Q'ty Per Assembly
101	0414 0060B	Tapping Screw - M4x6	
102	0802 5236	Tapping Screw - M4x8	
103	0414 0080B	Tapping Screw - M4x8	
104	0414 0100B	Tapping Screw - M4x10	
105	1204 2297	Microswitch - E21-50k(f)	
106	1107 0406	Fuse - 250V,0.5A	
107	0703 0040B	Philips Washer - M4	
108	0413 0060B	Tapping Screw - M3x6	

2. SORTER UNIT 2 (A557)



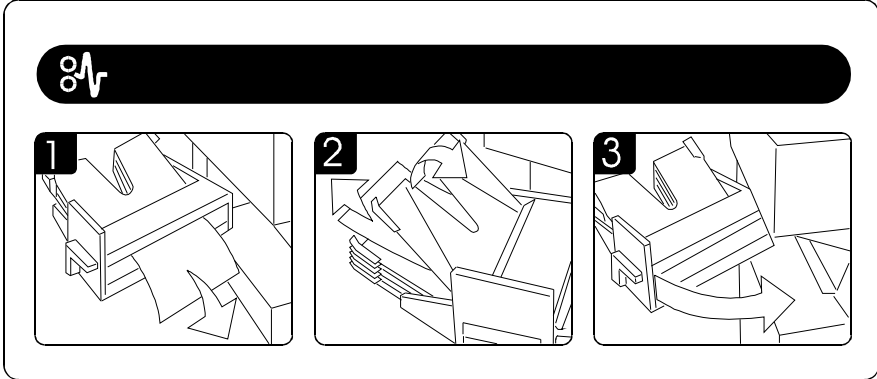
2. SORTER UNIT 2 (A557)

Index No.	Part No.	Description	Q'ty Per Assembly
1	A557 2102	Antistatic Brush Bracket	1
2	6802 2357	Exit Sensor Feeler	1
3	6802 1025	Up-down Plate Guide	2
4	6802 1021	Front Slot Liner	1
5	6802 2239	Slot Roller	2
6	6802 2233	Transfer Wheel - A	1
7	6802 2217	Parallel Key	2
8	6802 2317	Timing Belt - 80xl	1
9	6802 2313	Timing Pulley - 12T	1
10	6802 2215	Bushing	2
11	6802 2315	Drive Pulley Shaft	1
12	6802 2117	Shaft - Lower Guide Plate	2
13	6801 5921	Harness Guidebracket	1
14	6801 2123	Lower Exit Roller	1
15	6802 2213	Bin Drive Shaft	1
16	6801 5911	Insulating Sheet - Exit Sensor	1
17	6802 2237	Transfer Wheel - B	1
18	A327 5406	Bin Drive Motor	1
19	A556 5410	Transport Drive Motor - DC24V 2.6W	1
20	6801 2335	Roller Drive Pulley	1
21	6801 2322	Belt - M3 x 175	1
22	6801 2331	Bracket - Roller Drive Motor	1
23	A557 5200	Main Harness	1
24	1204 2297	Microswitch - E21-50k(f)	1
25	6802 5972	Wheel Switch Cover	1
26	6802 1023	Rear Slot Liner	1
27	6802 2355	Exit Sensor Bracket	1
28	6802 3161	Antistatic Brush - Bin	1
29	A557 5520	Exit Sensor Board	1
30	6802 5703	Grounding Wire	1
31	6802 2035	Upper Reinforcement Guide	1
32	A557 2011	Upper Guide Plate	1
33	6801 2021	Upper Exit Roller	1
34	A557 2103	Antistatic Brush	1
35	6801 2115	Lower Guide Plate - 115V	1

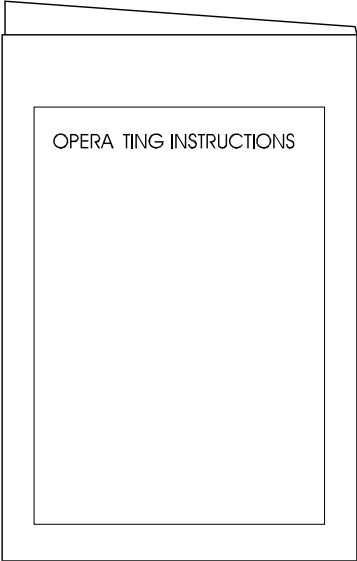
Index No.	Part No.	Description	Q'ty Per Assembly
36	A557 5480	Clamp	1
37	A327 2318	Thermofuse Cover	1
38	A557 2143	Spring - Exit Sensor MB1 (ADDED)	1
101	1105 0024	Cord Clamp	
102	0802 5235	Tapping Bind Screw - M4x6	
103	0414 0060B	Tapping Screw - M4x6	
104	0353 0140B	Bind Screw - M3x14	
105	0353 0050B	Philips Truss Head Screw - M3x5	
106	0720 0040E	Retaining Ring - M4	

3. DECAL AND DOCUMENT (A557)

1



2



3. DECAL AND DOCUMENT (A557)

Index No.	Part No.	Description	Q'ty Per Assembly
1	A557 6602	Decal - Misfeed Removal	1
2	A557 8610	Installation Procedure	1

Index No.	Part No.	Description	Q'ty Per Assembly

PARTS INDEX

Part No.	Description	Page and Index No.
A557 1201	Upper Hingebracket	3- 27
A557 2011	Upper Guide Plate	5- 32
A557 2102	Antistatic Brush Bracket	5- 1
A557 2103	Antistatic Brush	5- 34
A557 2143	Spring - Exit Sensor MB1 (ADDED)	5- 38
A557 3101	Sorter Bin - Top	3- 1
A557 5200	Main Harness	5- 23
A557 5300	Interface Harness	3- 7
A557 5305	X/O MB2	3- 7
A557 5480	Clamp	5- 36
A557 5510	Main Control Board	3- 10
A557 5520	Exit Sensor Board	5- 29
A557 5650	Fuse - 1A	3- 26
A557 6101	Front Cover	3- 13
A557 6202	Lower Cover	3- 8
A557 6302	Upper Cover	3- 25
A557 6402	Rear Cover	3- 21
A557 6501	Hinge Cover	3- 23
A557 6602	Decal - Misfeed Removal	3- 14
A557 6602	Decal - Misfeed Removal	7- 1
A557 7101	Lower Hinge Bracket	3- 11
A557 8610	Installation Procedure	7- 2

Part No.	Description	Page and Index No
AA14 0279	Frame Shaft	3- 24

Part No.	Description	Page and Index No.
A327 2318	Thermofuse Cover	5- 37
A327 5406	Bin Drive Motor	5- 18
A467 2511	Loewr Guide Support Plate	3- 18
A490 3146	Front Mylar Seal - Top Bin	3- 4
A490 3147	Rear Mylar Seal - Top Bin	3- 2
A490 5951	Sensor Bracket	3- 17
A490 7511	Magnet Catch Bracket	3- 19
A556 3171	Sorter Bin - ODD	3- 6
A556 3181	Sorter Bin - Even	3- 5
A556 5410	Transport Drive Motor - DC24V 2.6W	5- 19
5447 2681	Snap Ring	3- 12
6801 2021	Upper Exit Roller	5- 33
6801 2115	Lower Guide Plate - 115V	5- 35
6801 2123	Lower Exit Roller	5- 14
6801 2322	Belt - M3 x 175	5- 21
6801 2331	Bracket - Roller Drive Motor	5- 22
6801 2335	Roller Drive Pulley	5- 20
6801 2514	Support Plate Mylar	3- 20
6801 3145	Paper Stopper	3- 3
6801 5911	Insulating Sheet - Exit Sensor	5- 16
6801 5921	Harness Guidebracket	5- 13
6802 1021	Front Slot Liner	5- 4
6802 1023	Rear Slot Liner	5- 26
6802 1025	Up-down Plate Guide	5- 3
6802 2035	Upper Reinforcement Guide	5- 31
6802 2117	Shaft - Lower Guide Plate	5- 12
6802 2213	Bin Drive Shaft	5- 15
6802 2215	Bushing	5- 10
6802 2217	Parallel Key	5- 7
6802 2233	Transfer Wheel - A	5- 6
6802 2237	Transfer Wheel - B	5- 17
6802 2239	Slot Roller	5- 5
6802 2313	Timing Pulley - 12T	5- 9
6802 2315	Drive Pulley Shaft	5- 11
6802 2317	Timing Belt - 80xl	5- 8

Part No.	Description	Page and Index No
6802 2355	Exit Sensor Bracket	5- 27
6802 2357	Exit Sensor Feeler	5- 2
6802 3161	Antistatic Brush - Bin	5- 28
6802 5640	Reed Switch	3- 16
6802 5703	Grounding Wire	5- 30
6802 5961	Strain Relief Plate	3- 9
6802 5971	Home Position Switch Cover	3- 15
6802 5972	Wheel Switch Cover	5- 25
6802 7125	Magnet - Sorter Mounting Base	3- 22

Part No.	Description	Page and Index No.
0353 0050B	Philips Truss Head Screw - M3x5	5-105
0353 0140B	Bind Screw - M3x14	5-104
0413 0060B	Tapping Screw - M3x6	3-108
0414 0060B	Tapping Screw - M4x6	3-101
0414 0060B	Tapping Screw - M4x6	5-103
0414 0080B	Tapping Screw - M4x8	3-103
0414 0100B	Tapping Screw - M4x10	3-104
0703 0040B	Philips Washer - M4	3-107
0720 0040E	Retaining Ring - M4	5-106
0802 5235	Tapping Bind Screw - M4x6	5-102
0802 5236	Tapping Screw - M4x8	3-102
1105 0024	Cord Clamp	5-101
1107 0406	Fuse - 250V,0.5A	3-106
1204 2297	Microswitch - E21-50k(f)	3-105
1204 2297	Microswitch - E21-50k(f)	5- 24

Part No.	Description	Page and Index No